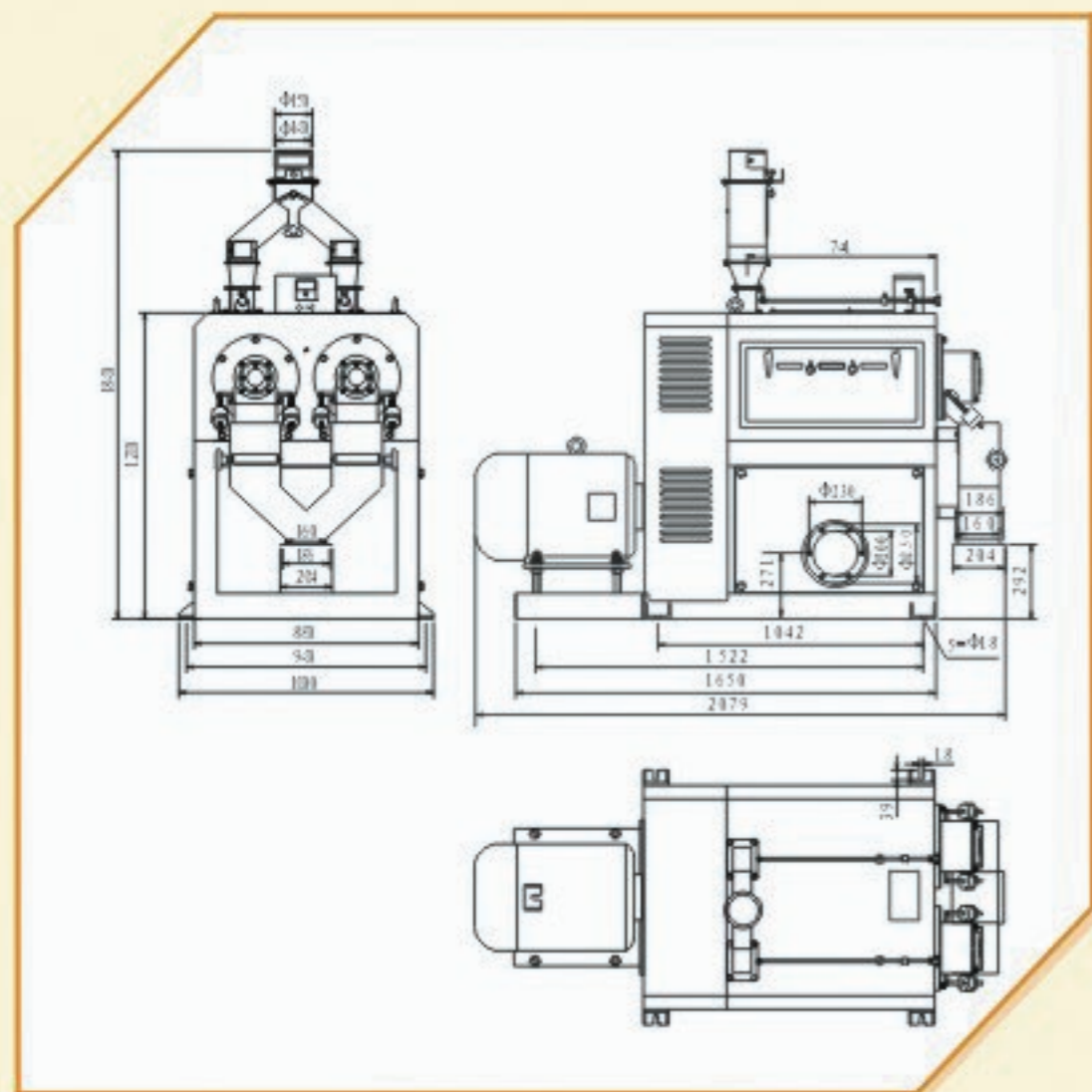


外形尺寸与地脚安装图 OVERALL DIMENSION



主要技术参数 MAIN TECHNICAL DATA

型号 Type	MNMS18X2C
处理量 Output (t/h)	4-5
动力配备 Power (kw)	37-45
主轴转速 Rotary speed (rpm)	955-1550
负压 Negative pressure (mm H <sub>2</sub> O)	150-200
风量 Air volume (m <sup>3</sup> /min)	40-45
机重 Weight (kg)	1500

通过ISO9001国际标准质量体系认证 ISO 9001-2000 Certified  
E-mail: yongxiangmiji@sohu.com http://www.hbyxjl.com

地址: 湖北省安陆市府河大道8号

ADD: 8 FUHE AVE., ANLU CITY, HUBEI, CHINA

电话(TEL): 0712-5254443 5254445 5253762 传真(FAX): 0712-5254443 邮编(POSTCODE): 432600

# MNMS18x2C 砂辊碾米机

## EMERY ROLL WHITENING MACHINE

二合一水平组合  
Two-in-one  
horizontal combination

产量大  
Large Yield



性价比高  
High Cost-effective

湖北永祥粮食机械股份有限公司

HUBEI YONGXIANG FOOD PROCESSING MACHINE CO., LTD.

### MNMS18X2C砂辊碾米机

MNMS18X2C砂辊碾米机主要用于糙米开糙及碾白，尤其适合加工较高水份（18%以下）的稻米，该机是永祥集长期研发碾米技术基础上，最新推出具备较高性价比的双辊碾米机，相当于二台单辊米机水平组合，具有产量大、精度高、米温低、碎米少、进料方式灵活等特点，是目前100-120吨优质大米加工企业理想的配套设备。

### MNMS18X2C EMERY ROLL WHITENING MACHINE

MNMS18X2C emery roller rice whitener is mainly used for brown rice milling as well as whitening, particularly suitable for processing high moisture (below 18%) rice. With a more cost-effective twin-roll milling, which is equivalent to two single-machine, the machine features big capacity, high precision, low rice temperature, and convenient to feed. It is ideal equipment for 100-120 T/day rice milling plant.



MNMS18X2C砂辊碾米机



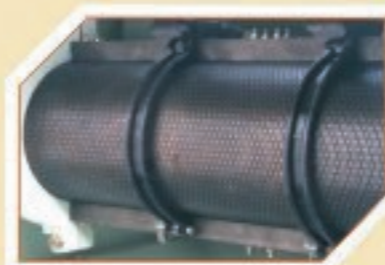
- 本机双辊采用水平并列布置，结构紧凑，占有空间少  
Due to parallel double rollers, the machine features compact structure, covering small required area.

- 进料方式灵活，双辊产量均衡，可以满足多种加工工艺路线需要。  
Flexible feeding and balanced production from twin-roll meet the needs of various of processing ways.



- 采用强负压碾米，碾白室多点可调进风，产量大、米温低，加工的大米糠粉少、碎米少。  
Rice milling under strong negative pressure and multi-point adjustable air intake in whitening chamber feature big capacity, low rice temperature, less bran and broken rice.

- 特殊设计的碾白室，方便用户更换米筛。  
With special chamber design, it's convenient for customers to replace screen.



- 可以选配多种转速的电机带轮，适应不同品种大米加工需要。  
Supplying many kinds of motor pulleys can be suitable for different varieties.